

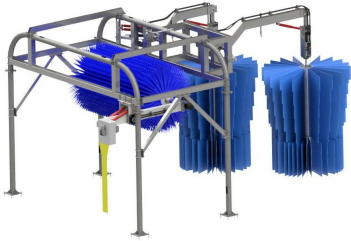
**PECO Part
#997128**

MFG:PECO
MFG#:TWC1102S



The Most
Helpful Brand
In Car Washing

**TWC1102S TOP WASHER WRAP COMBO-TW/RO STAINLESS
STEEL**



Specifications

Hydraulic Requirements

Total System Hydraulic Requirements: 2 Banks 9 GPM

Tunnel Controller Requirements

Total System Computer Requirements: 4 Outputs 0 Inputs

Pneumatic Control Requirements

Total System Pneumatic Control Requirements:

0.13 CFM
0.00 2W1 2-Way Valve
0.00 3W1 3-Way Valve
2.00 4W1 4-Way Valve
0.00 4WM 4-Way Valve Manual

Water Requirements

Total System WATER Requirements:

0.00 GPM @ 40psi Reclaim Water
9.00 GPM @ 40psi Fresh Water
0.00 GPM Soft Water
0.00 GPM Hot Water
0.00 GPM RO Water
0.00 GPM @ 850psi Reclaim Water
0.00 GPM @ 850psi High Pressure Water

Water Controls Requirements

Total System Water Control Requirements:

1 Solution Induction Pump (SIP)
0 1/2" Fresh Water Valve (1/2SOL)
1 3/4" Fresh Water Valve (3/4SOL)
0 1" Fresh Water Valve (1SOL)
0 3/4" Clay Valve (3/4CV)
0 1" Clay Valve (1CV)
0 1 1/2" Clay Valve (1.5CV)
0 1/2" High Pressure Valve (hpSOL)

TWC1102s STAINLESS STEEL TOP WASHER WRAP COMBO UNIT

Equipment Specification

Technical Data: TWC1102s

Construction: Stainless Steel Structure

Tunnel Length: 21'-4" (6.50m)

Tunnel Height: 11'-6" (3.51m)

Tunnel Width: 16'-0" (4.87m)

Vehicle Height Clearance: 7'-6" (2.28 m)

Water Output: 9 gpm @ 40 psi (34 lpm @ 0.3 MPa)

Electrical Requirements: N/A

Hydraulic Requirements: WRAP (1) Bank of:

3 gpm @ 800 psi (11.4 lpm @ 5.5 MPa) Cloth Material

6 gpm @ 800 psi (22.8 lpm @ 5.5 MPa) Foam Material

TOP WASHER (1) Bank of:

6 gpm @ 1100 psi (22.8 lpm @ 7.6 MPa)

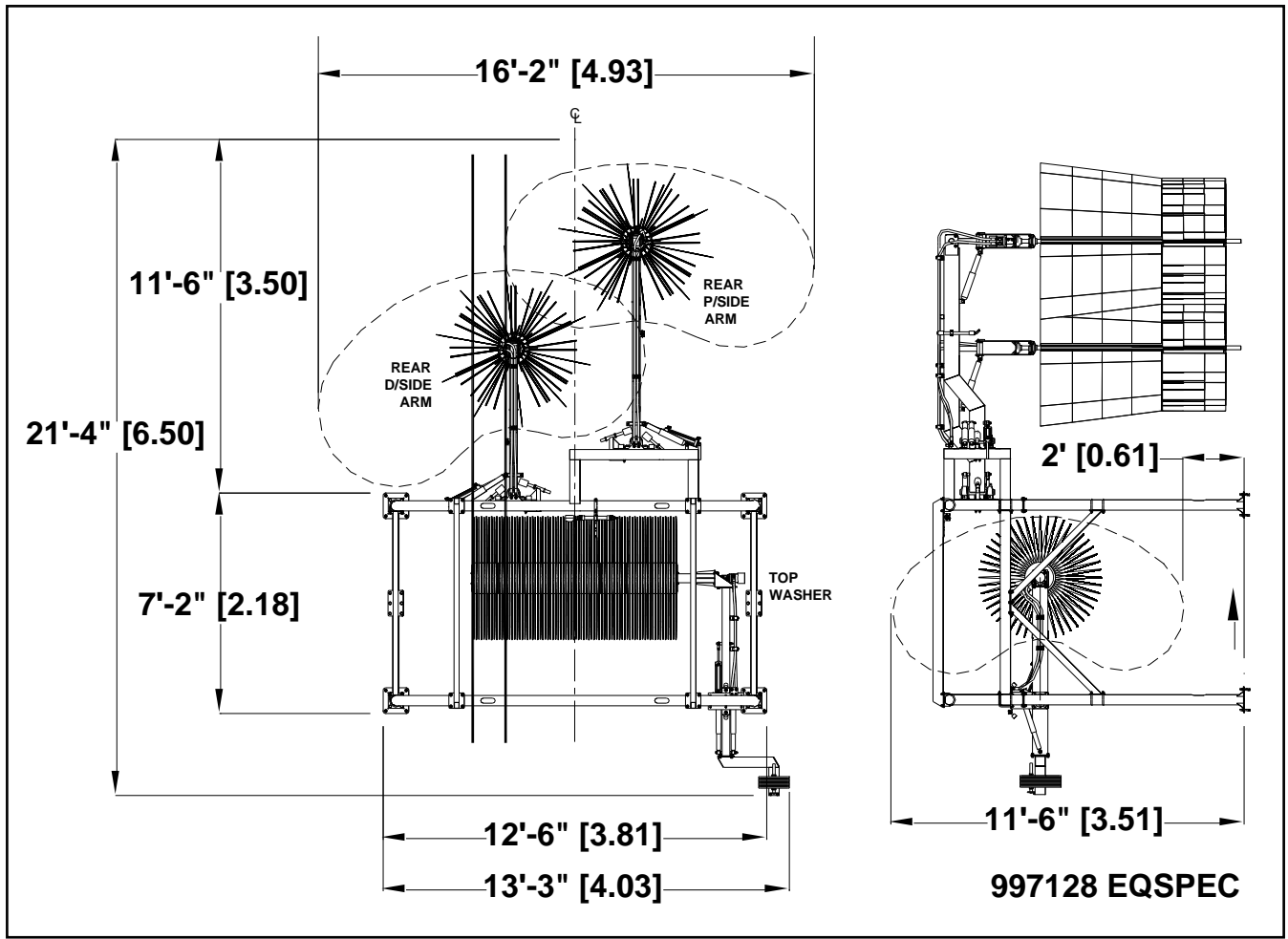
Air Requirements: 60-80 psi for retract cylinders

Shipping Weight: 2500 lbs. (1136 kg)

Controller Function: 4 (Wrap1 Retract / Wrap1 Water / Top Washer Retract / Top Washer Water)

**PECO Car Wash Systems – 244 Rex Boulevard – Auburn Hills – Michigan – 48326 –
USA – 1-248-299-5800**

TWC1102s STAINLESS STEEL TOP WASHER WRAP COMBO UNIT



PECO Car Wash Systems – 244 Rex Boulevard – Auburn Hills – Michigan – 48326 – USA – 1-248-299-5800